

Maximum: 12.00"

Minimum: 10.00"



M & D LOGISTIX
COMAILING AND DISTRIBUTION SERVICES

Co-mailing Specifications Template

Thickness Range

Minimum: 1/8" (.125)

Maximum: 5/8" (.625)

Weight Range

Periodical Flats not to exceed 20 ounces

Standard Flats not to exceed 16 ounces

Knockout / Label Positioning Options

Address field (knockout) must be 4" x 2"

Address field must be positioned with the spine-facing edge in one of four locations:

Position ① - .75" from spine

Position ② - 4" from spine

Position ③ - 6" from spine

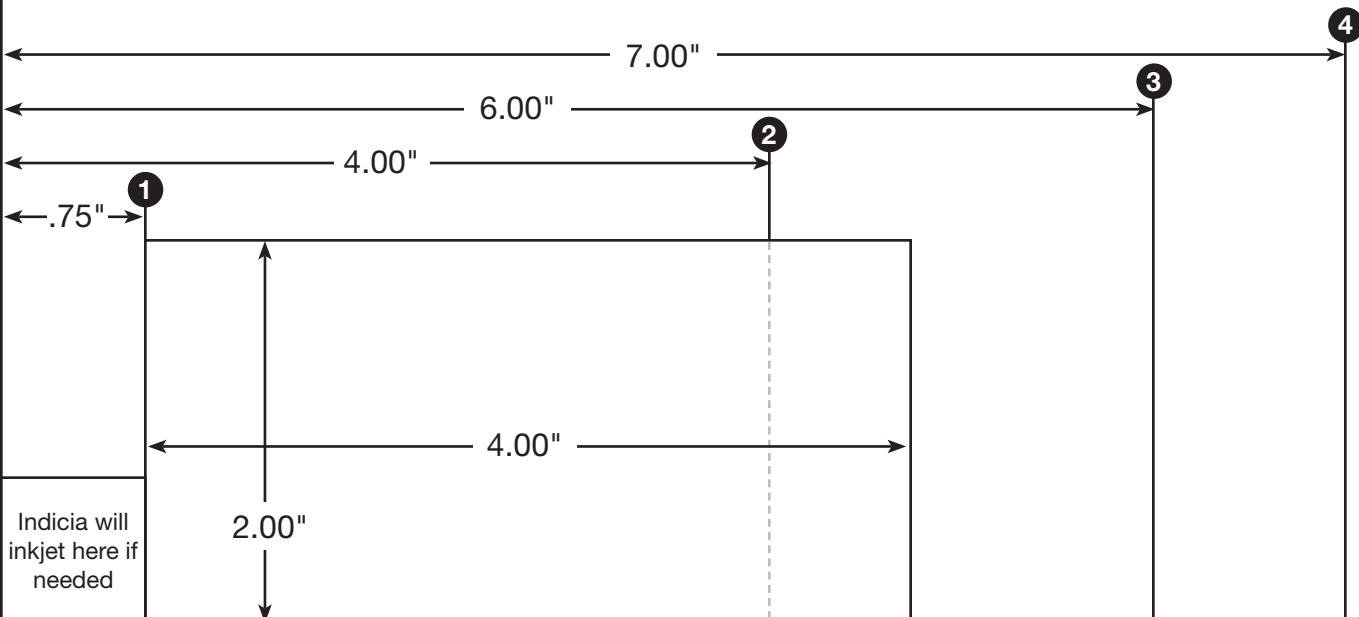
Position ④ - 7" from spine

If a paper label is requested, it will be placed in position 1 (see below)

Spine

Minimum: 13.00"

Maximum: 15.00"



Address block may not be closer than 3/8" (.375) from foot